

# • SYSTEMA INOX<sup>®</sup> •

- Reggicorrimano
- Handrail Supports

by *ind.i.a.*

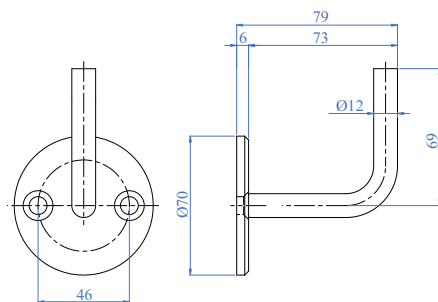
**132**  
NUOVI PRODOTTI  
NEW PRODUCTS

La più vasta gamma di  
reggicorrimano  
è solo SYSTEMA INOX<sup>®</sup>

Only SYSTEMA INOX<sup>®</sup> has the  
widest range of supports for  
handrails

## Reggicorrimano da Parete con Flangia Piatta - Wall Handrail Supports

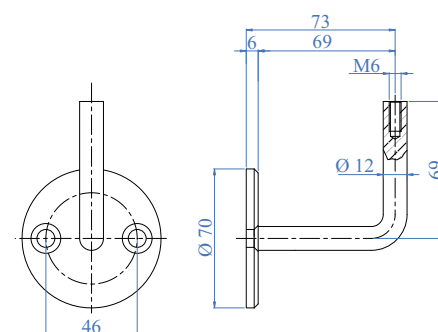
2 pezzi, piastra di ancoraggio Ø 70 x 6 mm angolare 75 x 75 mm, tondino Ø 12 mm  
2 pieces, complete with flange 2 3/4" dia. x 15/64" elbow 2 61/64"x 2 61/64", 1/2" dia.



AISI 304	Cod. art. Art. no.	Descrizione Description
	E0222	Senza filetto Without thread

AISI 316	Cod. art. Art. no.	Descrizione Description
<b>NEW</b>	E022316	Senza filetto Without thread

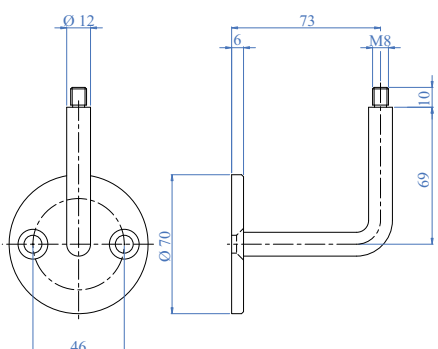
2 pezzi, piastra di ancoraggio Ø 70 x 6 mm angolare 75 x 75 mm, tondino Ø 12 mm  
2 pieces, complete with flange 2 3/4" dia. x 15/64" elbow 2 61/64"x 2 61/64", 1/2" dia.



AISI 304	Cod. art. Art. no.	Descrizione Description
	E0224	Con filetto interno M6 With internal thread M6

AISI 316	Cod. art. Art. no.	Descrizione Description
<b>NEW</b>	E0224316	Con filetto interno M6 With internal thread M6

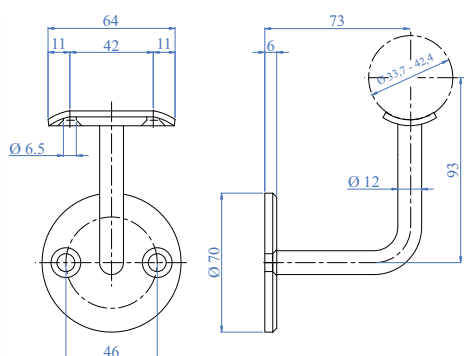
2 pezzi, piastra di ancoraggio Ø 70 x 6 mm angolare 75 x 75 mm, tondino Ø 12 mm  
2 pieces, complete with flange 2 3/4" dia. x 15/64" elbow 2 61/64"x 2 61/64", 1/2" dia.



AISI 304	Cod. art. Art. no.	Descrizione Description
	E02241	Con filetto maschio M8 With external thread M8

AISI 316	Cod. art. Art. no.	Descrizione Description
<b>NEW</b>	E02241316	Con filetto maschio M8 With external thread M8

3 pezzi, piastra di ancoraggio Ø 70 x 6 mm angolare 75 x 75 mm, tondino Ø 12 mm  
3 pieces, complete with flange 2 3/4" dia. x 15/64" elbow 2 61/64"x 2 61/64", 1/2" dia.



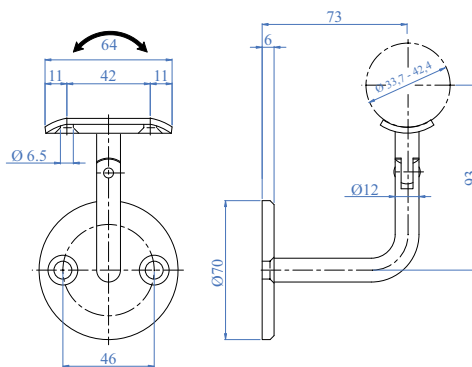
AISI 304	Cod. art. Art. no.	Descrizione Description
	E0223	Completo di piastra di ancoraggio e piastra di collegamento Complete with rigid mounting plate

AISI 316	Cod. art. Art. no.	Descrizione Description
<b>NEW</b>	E0223316	Completo di piastra di ancoraggio e piastra di collegamento Complete with rigid mounting plate

3 pezzi, piastra di ancoraggio Ø 70 x 6 mm angolare 75 x 75 mm, tondino Ø 12 mm  
 3 pieces, complete with flange 2 3/4" dia. x 15/64" elbow 2 61/64"x 2 61/64", 1/2" dia.

AISI 304	Cod. art.	Descrizione
	Art. no.	Description
	E02231	Snodato completo di piastra di ancoraggio e piastra di collegamento Pivoted joint

AISI 316	Cod. art.	Descrizione
	Art. no.	Description
<b>NEW</b>	E02231316	Snodato completo di piastra di ancoraggio e piastra di collegamento Pivoted joint

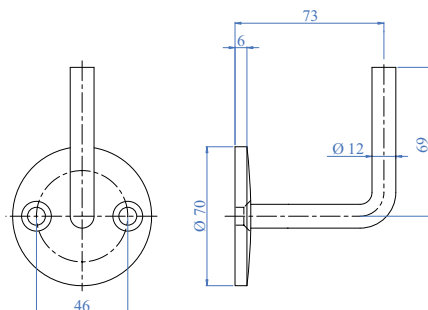


### Reggicorrimano da Parete con Flangia Bombata - Wall handrail Supports

2 pezzi, piastra di ancoraggio Ø 70 x 6 mm angolare 75 x 75 mm, tondino Ø 12 mm  
 2 pieces, complete with flange 2 3/4" dia. x 15/64" elbow 2 61/64"x 2 61/64", 1/2" dia.

AISI 304	Cod. art.	Descrizione
	Art. no.	Description
	E02245	Senza filetto Without thread

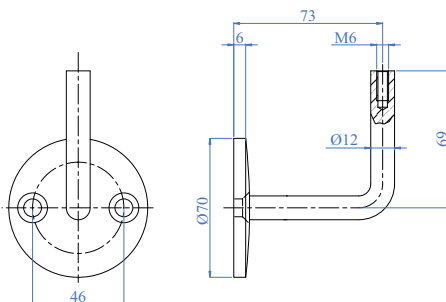
AISI 316	Cod. art.	Descrizione
	Art. no.	Description
<b>NEW</b>	E02245316	Senza filetto Without thread



2 pezzi, piastra di ancoraggio Ø 70 x 6 mm angolare 75 x 75 mm, tondino Ø 12 mm  
 2 pieces, complete with flange 2 3/4" dia. x 15/64" elbow 2 61/64"x 2 61/64", 1/2" dia.

AISI 304	Cod. art.	Descrizione
	Art. no.	Description
	E02243	Con filetto interno M6 With internal thread M6

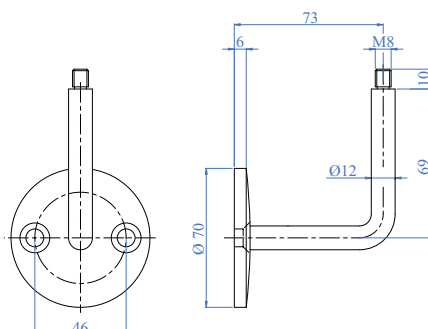
AISI 316	Cod. art.	Descrizione
	Art. no.	Description
<b>NEW</b>	E02243316	Con filetto interno M6 With internal thread M6



2 pezzi, piastra di ancoraggio Ø 70 x 6 mm angolare 75 x 75 mm, tondino Ø 12 mm  
 2 pieces, complete with flange 2 3/4" dia. x 15/64" elbow 2 61/64"x 2 61/64", 1/2" dia.

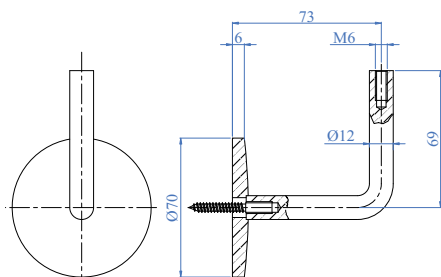
AISI 304	Cod. art.	Descrizione
	Art. no.	Description
	E02244	Con filetto maschio M8 With external thread M8

AISI 316	Cod. art.	Descrizione
	Art. no.	Description
<b>NEW</b>	E02244316	Con filetto maschio M8 With external thread M8



## Reggicorrimano da Parete - Wall Handrail Supports

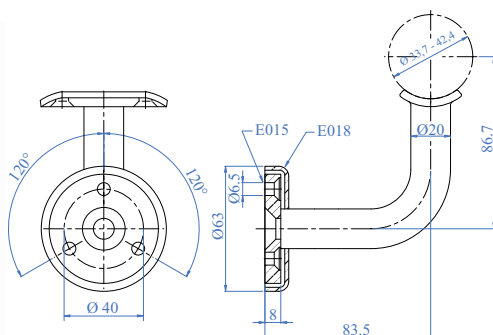
Con piastra bombata Ø 70 x 6 mm, supporto corrimano 75 x 75 mm, Ø 12 mm  
Complete with rounded flange 2 3/4" dia. x 15/64" elbow 2 61/64" x 2 61/64", 1/2" dia.



AISI 304	Cod. art. Art. no.	Descrizione Description
	E02242	Completo di vite e con filetto interno M6 With screw and internal thread M6

AISI 316	Cod. art. Art. no.	Descrizione Description
<b>NEW</b>	E02242316	Completo di vite e con filetto interno M6 With screw and internal thread M6

4 pezzi, completo di viti con piastra di ancoraggio in alluminio, rosetta e piastra di collegamento a tubo  
4 pieces complete with aluminium flange, flange canopy and mounting plate



AISI 303	Cod. art. Art. no.	Per tubo For tube
	E022/S	Ø 33,7 mm - Ø 42,4 mm 1 1/3" dia. - 1 2/3" dia.

AISI 316	Cod. art. Art. no.	Per tubo For tube
<b>NEW</b>	E022/S316	Ø 33,7 mm - Ø 42,4 mm 1 1/3" dia. - 1 2/3" dia.





ARTEFERRO

## Reggicorrimano da Parete - Wall Handrail Supports

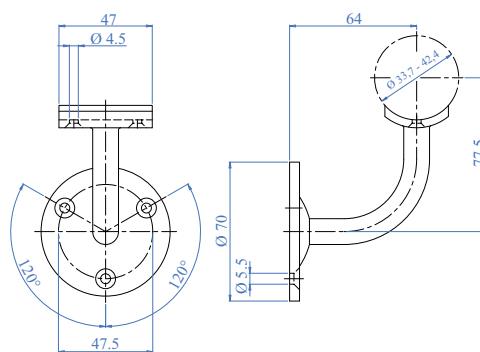
**AISI 316**

Cod. art.  
Art. no.

E459

Per tubo  
For tube

Ø 33,7 mm - Ø 42,4 mm  
1 1/3" dia. - 1 2/3" dia.



## Rigido con piastra di collegamento tubo Rigid with mounting plates

**AISI 304**

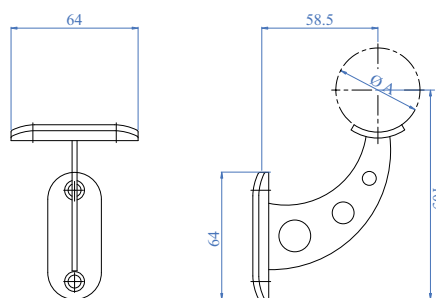
Cod. art.  
Art. no.

E031/56

Per tubo  
For tube

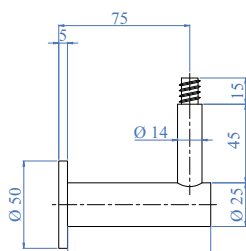
A

Ø 42,4 mm - 1 2/3" dia.



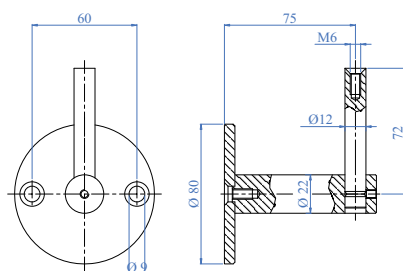
## Reggicorrimano da Parete - Wall Handrail Supports

Satinato  
Satin finish



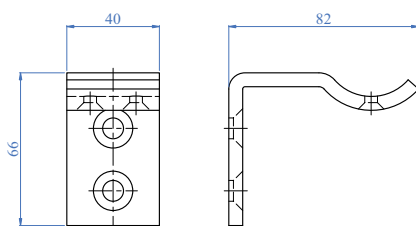
<b>AISI 316</b>	Cod. art.	Per corrimano
	Art. no.	For handrail
	E4586	Ø 40 ÷ 48 mm e quadro 1 9/16" ÷ 1 57/64" dia. and square

3 pezzi, completo di viti e piastra di ancoraggio regolabile in altezza  
3 pieces with adjustable height



<b>AISI 303</b>	Cod. art.	Dimensioni
	Art. no.	Dimensions
	E0221	Ø 80 x 5 mm 3 5/32" dia. x 13/64"

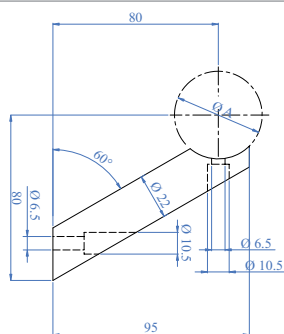
**NEW**



<b>AISI 304</b>	Cod. art.	Dimensioni
	Art. no.	Dimensions
	E034100	66 x 82 mm 2 5/8" x 3 15/64"

<b>AISI 316</b>	Cod. art.	Dimensioni
	Art. no.	Dimensions
	E034100316	66 x 82 mm 2 5/8" x 3 15/64"

**NEW**



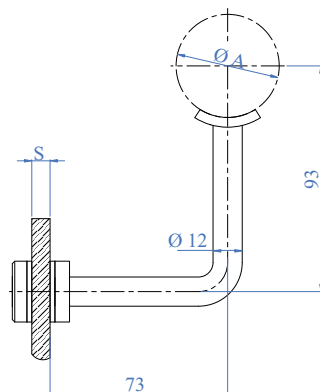
<b>AISI 304</b>	Cod. art.	Per tubo	A
	Art. no.	For tube	
	E034200	Ø 33,7 mm - Ø 42,4 mm 1 1/3" dia. - 1 2/3" dia.	

<b>AISI 316</b>	Cod. art.	Dimensioni
	Art. no.	Dimensions
	E034200316	Ø 33,7 mm - Ø 42,4 mm 1 1/3" dia. - 1 2/3" dia.

## Reggicorrimano per Vetro - Glass Handrail Supports

4 pezzi, completo di viti e piastra di collegamento a tubo  
4 pieces complete with glass clip and mounting plate

**NEW**



<b>AISI 303</b>	Cod. art.	Descrizione	S
	Art. no.	Description	
	E035100	Per vetro 8-25 mm Vetro da forare Ø 21 mm For glass thickness 5/16" - 1" Glass to be drilled at 55/64" dia.	

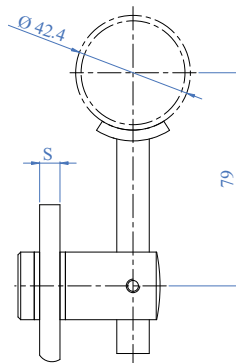
<b>AISI 316</b>	Cod. art.	Descrizione	S
	Art. no.	Description	
	E035100316	Per vetro 8-25 mm Vetro da forare Ø 21 mm For glass thickness 5/16" - 1" Glass to be drilled at 55/64" dia.	

## Reggicorrimano per Vetro - Glass Handrail Supports

5 pezzi, completo di viti e piastra di collegamento a tubo  
5 pieces complete with glass clip and mounting plate

AISI 303	Cod. art. Art. no.	Descrizione Description	S
	E035200	Per vetro 8-25 mm Vetro da forare Ø 21 mm For glass thickness 5/16" - 1" Glass to be drilled at 55/64" dia.	

AISI 316	Cod. art. Art. no.	Descrizione Description	S
	E035200316	Per vetro 8-25 mm Vetro da forare Ø 21 mm For glass thickness 5/16" - 1" Glass to be drilled at 55/64" dia.	



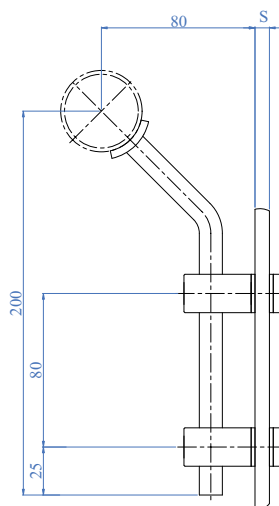
**NEW**



6 pezzi, completo di viti e piastra di collegamento a tubo  
6 pieces complete with glass clip and mounting plate

AISI 303	Cod. art. Art. no.	Descrizione Description	S
	E035300	Per vetro 8-25 mm Vetro da forare Ø 21 mm For glass thickness 5/16" - 1" Glass to be drilled at 55/64" dia.	

AISI 316	Cod. art. Art. no.	Descrizione Description	S
	E035300316	Per vetro 8-25 mm Vetro da forare Ø 21 mm For glass thickness 5/16" - 1" Glass to be drilled at 55/64" dia.	



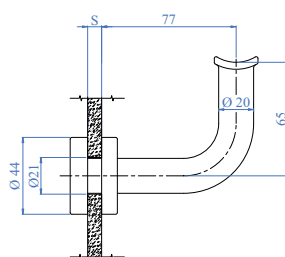
**NEW**



4 pezzi, completo di viti e piastra di collegamento a tubo, per vetro  
4 pieces complete with glass clip and mounting plate, for glass

AISI 303	Cod. art. Art. no.	Descrizione Description	S
	E022/S1	Per vetro 8-25 mm Vetro da forare Ø 21 mm For glass thickness 5/16" - 1" Glass to be drilled at 55/64" dia.	

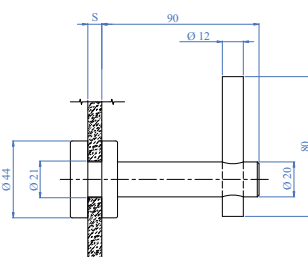
AISI 316	Cod. art. Art. no.	Descrizione Description	S
	E022/S1316	Per vetro 8-25 mm Vetro da forare Ø 21 mm For glass thickness 5/16" - 1" Glass to be drilled at 55/64" dia.	



4 pezzi, completo di viti, e sistema di ancoraggio a vetro  
4 pieces complete with glass clip and screws

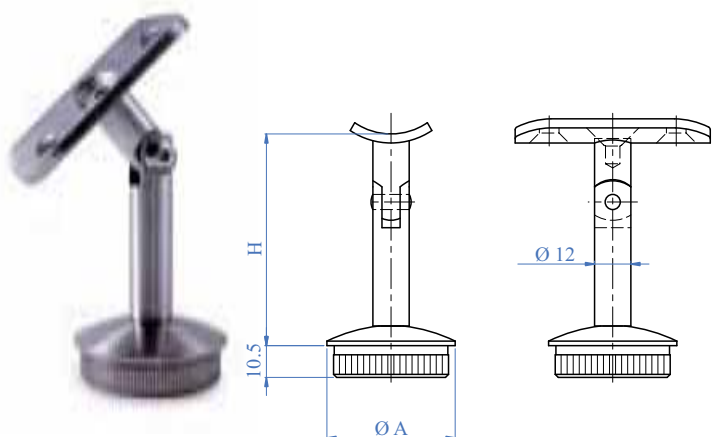
AISI 303	Cod. art. Art. no.	Descrizione Description	S
	E022/S2	Per vetro 8-25 mm Vetro da forare Ø 21 mm For glass thickness 5/16" - 1" Glass to be drilled at 55/64" dia.	

AISI 316	Cod. art. Art. no.	Descrizione Description	S
	E022/S2316	Per vetro 8-25 mm Vetro da forare Ø 21 mm For glass thickness 5/16" - 1" Glass to be drilled at 55/64" dia.	



## Reggicorrimano - Handrail Supports

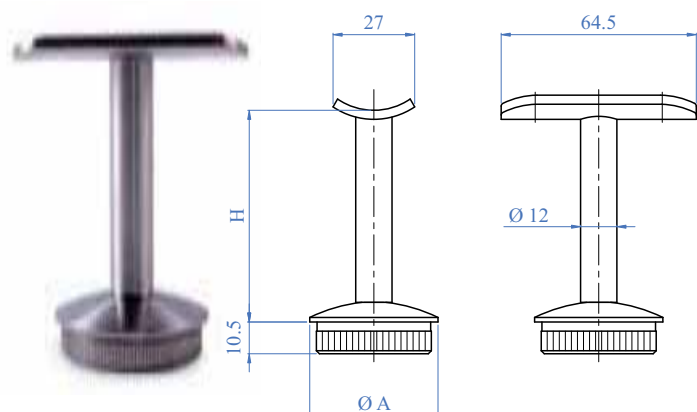
4 pezzi completo di viti e terminale per tubo  
4 pieces complete with screws and end cap for tube



AISI 303	Cod. art. Art. no.	Altezza Height	H	Per tubo For tube	A
	E0301	75 mm - 2 61/64"		Ø 33,7 x 2,0 mm - 1 1/3" dia. x 5/64"	
	E030/S	75 mm - 2 61/64"		Ø 42,4 x 2,0 mm - 1 2/3" dia. x 5/64"	
	E0302	75 mm - 2 61/64"		Ø 48,3 x 2,0 mm - 1 7/8" dia. x 5/64"	
	E030/S1	75 mm - 2 61/64"		Ø 50,8 x 2,0 mm - 2" dia. x 5/64"	

AISI 316	Cod. art. Art. no.	Altezza Height	H	Per tubo For tube	A
	E0301316	75 mm - 2 61/64"		Ø 33,7 x 2,0 mm - 1 1/3" dia. x 5/64"	
	E030/S316	75 mm - 2 61/64"		Ø 42,4 x 2,0 mm - 1 2/3" dia. x 5/64"	
	E0302316	75 mm - 2 61/64"		Ø 48,3 x 2,0 mm - 1 7/8" dia. x 5/64"	
	E030/S1316	75 mm - 2 61/64"		Ø 50,8 x 2,0 mm - 2" dia. x 5/64"	

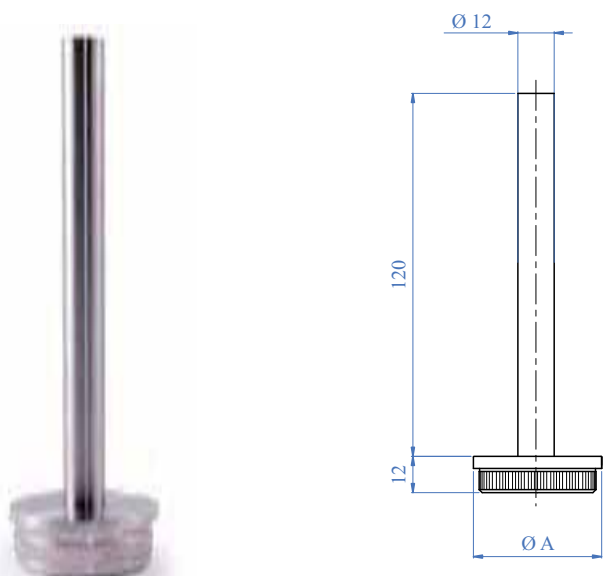
3 pezzi completo di tappo e terminale per tubo  
3 pieces complete with screw and end cap for tube



AISI 303	Cod. art. Art. no.	Altezza Height	H	Per tubo For tube	A
	E0311	75 mm - 2 61/64"		Ø 33,7 x 2,0 mm - 1 1/3" dia. x 5/64"	
	E031/S1	75 mm - 2 61/64"		Ø 42,4 x 2,0 mm - 1 2/3" dia. x 5/64"	
	E0312	75 mm - 2 61/64"		Ø 48,3 x 2,0 mm - 1 7/8" dia. x 5/64"	
	E031/S2	75 mm - 2 61/64"		Ø 50,8 x 2,0 mm - 2" dia. x 5/64"	

AISI 316	Cod. art. Art. no.	Altezza Height	H	Per tubo For tube	A
	E0311316	75 mm - 2 61/64"		Ø 33,7 x 2,0 mm - 1 1/3" dia. x 5/64"	
	E031/S1316	75 mm - 2 61/64"		Ø 42,4 x 2,0 mm - 1 2/3" dia. x 5/64"	
	E0312316	75 mm - 2 61/64"		Ø 48,3 x 2,0 mm - 1 7/8" dia. x 5/64"	
	E031/S2316	75 mm - 2 61/64"		Ø 50,8 x 2,0 mm - 2" dia. x 5/64"	

2 pezzi completo di tappo e terminale per tubo  
2 pieces complete with and end cap for tube



AISI 303	Cod. art. Art. no.	Altezza Height	H	Per tubo For tube	A
	E030/C1	120 mm - 4 3/4"		Ø 33,7 x 2,0 mm - 1 1/3" dia. x 5/64"	
	E030/C	120 mm - 4 3/4"		Ø 42,4 x 2,0 mm - 1 2/3" dia. x 5/64"	

AISI 316	Cod. art. Art. no.	Altezza Height	H	Per tubo For tube	A
	E030316/C1	120 mm - 4 3/4"		Ø 33,7 x 2,0 mm - 1 1/3" dia. x 5/64"	
	E030316/C	120 mm - 4 3/4"		Ø 42,4 x 2,0 mm - 1 2/3" dia. x 5/64"	

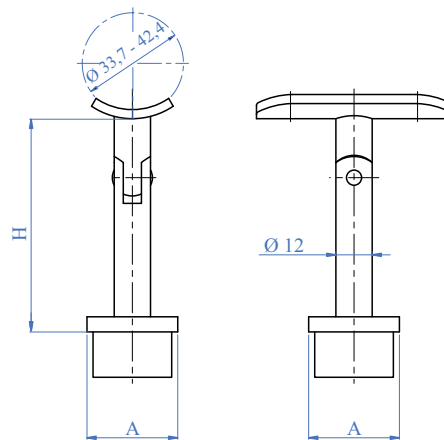


## Reggicorrimano - Handrail Supports

3 pezzi completo di viti e terminale per tubo  
3 pieces complete with screws and end cap for tube

**NEW**

AISI 304	Cod. art.	Altezza	H	Per tubo quadro For square tube	A
	Art. no.	Height			
	E037100	75 mm 2 61/64"		30 x 30 x 2,0 mm 1 3/16" x 1 3/16" x 5/64"	
	E037200	75 mm 2 61/64"		40 x 40 x 2,0 mm 1 9/16" x 1 9/16" x 5/64"	

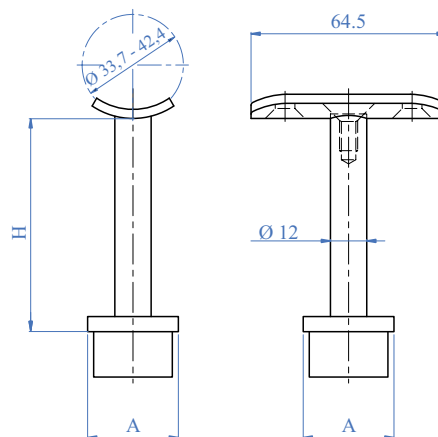


AISI 316	Cod. art.	Altezza	H	Per tubo quadro For square tube	A
	Art. no.	Height			
	E037110	75 mm 2 61/64"		30 x 30 x 2,0 mm 1 3/16" x 1 3/16" x 5/64"	
	E037210	75 mm 2 61/64"		40 x 40 x 2,0 mm 1 9/16" x 1 9/16" x 5/64"	

2 pezzi completo di tappo e terminale per tubo  
2 pieces complete with end cap for tube

**NEW**

AISI 304	Cod. art.	Altezza	H	Per tubo quadro For square tube	A
	Art. no.	Height			
	E037500	75 mm 2 61/64"		30 x 30 x 2,0 mm 1 3/16" x 1 3/16" x 5/64"	
	E037600	75 mm 2 61/64"		40 x 40 x 2,0 mm 1 9/16" x 1 9/16" x 5/64"	

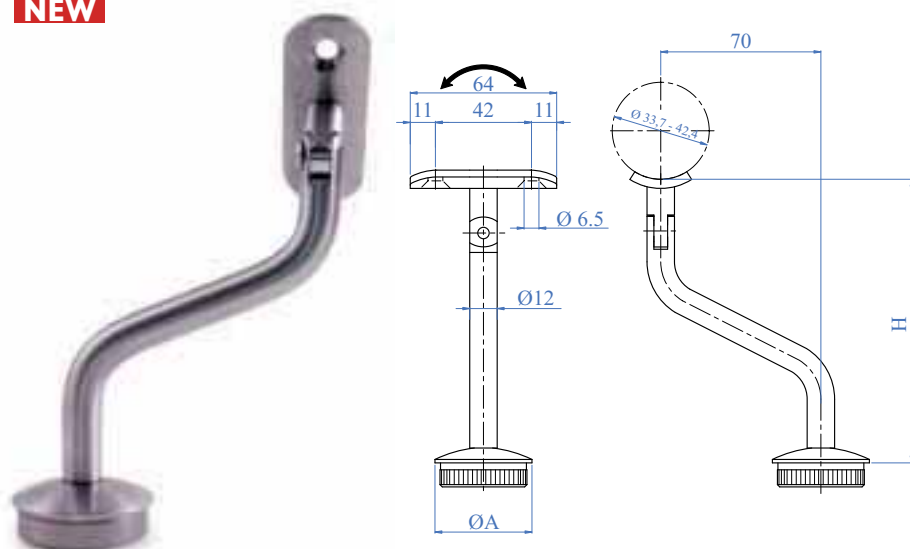


AISI 316	Cod. art.	Altezza	H	Per tubo quadro For square tube	A
	Art. no.	Height			
	E037510	75 mm 2 61/64"		30 x 30 x 2,0 mm 1 3/16" x 1 3/16" x 5/64"	
	E037610	75 mm 2 61/64"		40 x 40 x 2,0 mm 1 9/16" x 1 9/16" x 5/64"	

## Reggicorrimano - Handrail Supports

4 pezzi completo di viti, tappo e terminale per tubo, dotato di asse traslata per una maggiore sicurezza  
 4 pieces complete with screws and angled for maximum security with end cap for tube

**NEW**

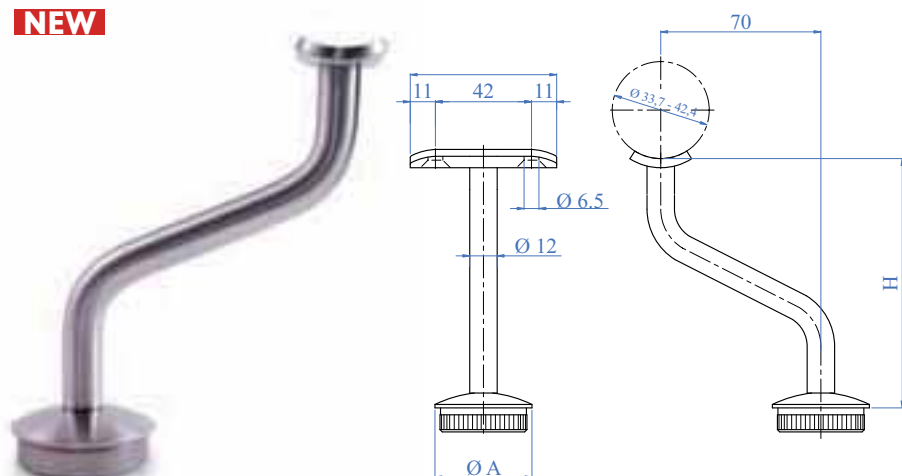


AISI 303	Cod. art. Art. no.	Altezza Height H	Per tubo For tube A
	E038000	124 mm 4 7/8"	Ø 33,7 x 2,0 mm 1 1/3" dia. x 5/64"
	E038100	124 mm 4 7/8"	Ø 42,4 x 2,0 mm 1 2/3" dia. x 5/64"

AISI 316	Cod. art. Art. no.	Altezza Height H	Per tubo For tube A
	E038010	124 mm 4 7/8"	Ø 33,7 x 2,0 mm 1 1/3" dia. x 5/64"
	E038110	124 mm 4 7/8"	Ø 42,4 x 2,0 mm 1 2/3" dia. x 5/64"

3 pezzi completo di tappo e terminale per tubo, dotato di asse traslata per una maggiore sicurezza  
 3 pieces complete with screws and angled for maximum security with end cap for tube

**NEW**



AISI 303	Cod. art. Art. no.	Altezza Height H	Per tubo For tube A
	E038200	109 mm 4 9/32"	Ø 33,7 x 2,0 mm 1 1/3" dia. x 5/64"
	E038300	109 mm 4 9/32"	Ø 42,4 x 2,0 mm 1 2/3" dia. x 5/64"

AISI 316	Cod. art. Art. no.	Altezza Height H	Per tubo For tube A
	E038210	109 mm 4 9/32"	Ø 33,7 x 2,0 mm 1 1/3" dia. x 5/64"
	E038310	109 mm 4 9/32"	Ø 42,4 x 2,0 mm 1 2/3" dia. x 5/64"



ARTEFERRO



ARTEFERRO

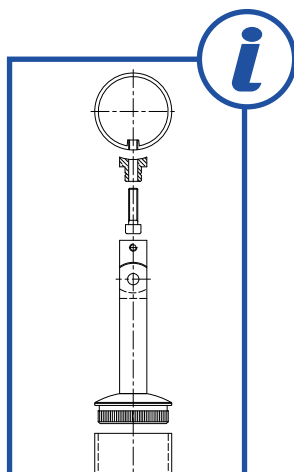
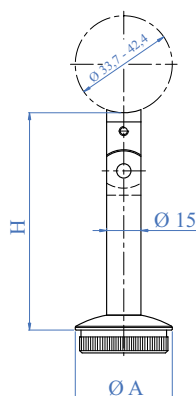


ARTEFERRO

## Reggicorrimano - Handrail Supports

4 pezzi completo di viti e terminale per tubo  
4 pieces complete with screws and end cap for tube

**NEW**



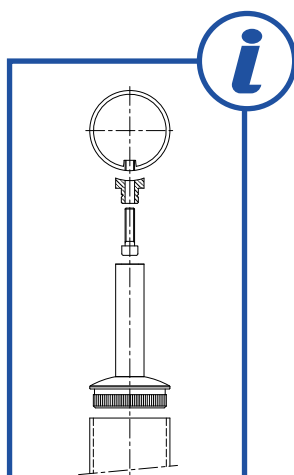
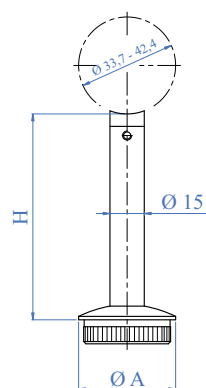
AISI 303	Cod. art.	Altezza	H	Per tubo	A
	Art. no.	Height		For tube	
	E038600	90 mm 3 9/16"		Ø 33,7 x 2,0 mm 1 1/3" dia. x 5/64"	
	E038700	90 mm 3 9/16"		Ø 42,4 x 2,0 mm 1 2/3" dia. x 5/64"	

AISI 316	Cod. art.	Altezza	H	Per tubo	A
	Art. no.	Height		For tube	
	E038610	90 mm 3 9/16"		Ø 33,7 x 2,0 mm 1 1/3" dia. x 5/64"	
	E038710	90 mm 3 9/16"		Ø 42,4 x 2,0 mm 1 2/3" dia. x 5/64"	

3 pezzi completo di terminale per tubo  
3 pieces complete end cap for tube

**NEW**



AISI 303	Cod. art.	Altezza	H	Per tubo	A
	Art. no.	Height		For tube	
	E038400	90 mm 3 9/16"		Ø 33,7 x 2,0 mm 1 1/3" dia. x 5/64"	
	E038500	90 mm 3 9/16"		Ø 42,4 x 2,0 mm 1 2/3" dia. x 5/64"	

AISI 316	Cod. art.	Altezza	H	Per tubo	A
	Art. no.	Height		For tube	
	E038410	90 mm 3 9/16"		Ø 33,7 x 2,0 mm 1 1/3" dia. x 5/64"	
	E038510	90 mm 3 9/16"		Ø 42,4 x 2,0 mm 1 2/3" dia. x 5/64"	

## Reggicorrimano - Handrail Supports

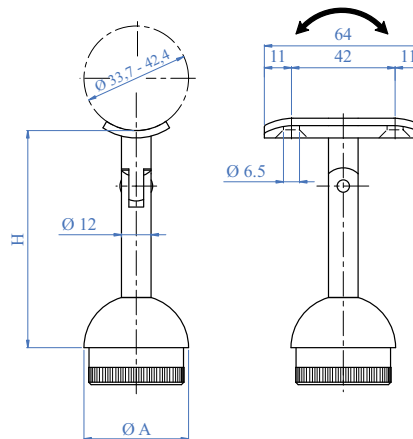
4 pezzi completo di viti e terminale per tubo  
4 pieces complete with screws and end cap for tube

**NEW**

AISI 303	Cod. art.	Altezza	H	Per tubo	A
	Art. no.	Height			
	E039000	88 mm 3 15/32"		Ø 33,7 x 2,0 mm 1 1/3" dia. x 5/64"	
	E039100	88 mm 3 15/32"		Ø 42,4 x 2,0 mm 1 2/3" dia. x 5/64"	

AISI 316	Cod. art.	Altezza	H	Per tubo	A
	Art. no.	Height			
	E039010	88 mm 3 15/32"		Ø 33,7 x 2,0 mm 1 1/3" dia. x 5/64"	
	E039110	88 mm 3 15/32"		Ø 42,4 x 2,0 mm 1 2/3" dia. x 5/64"	



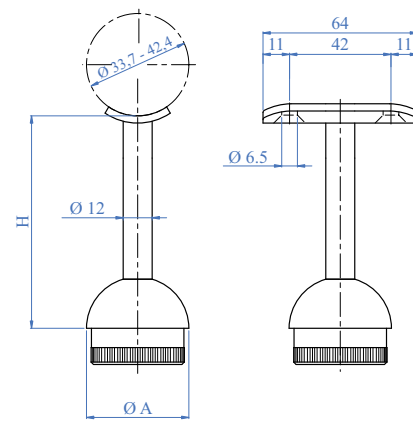
3 pezzi completo di viti e terminale per tubo  
3 pieces complete with screws and end cap for tube

**NEW**

AISI 303	Cod. art.	Altezza	H	Per tubo	A
	Art. no.	Height			
	E039200	88 mm 3 15/32"		Ø 33,7 x 2,0 mm 1 1/3" dia. x 5/64"	
	E039300	88 mm 3 15/32"		Ø 42,4 x 2,0 mm 1 2/3" dia. x 5/64"	

AISI 316	Cod. art.	Altezza	H	Per tubo	A
	Art. no.	Height			
	E039210	88 mm 3 15/32"		Ø 33,7 x 2,0 mm 1 1/3" dia. x 5/64"	
	E039310	88 mm 3 15/32"		Ø 42,4 x 2,0 mm 1 2/3" dia. x 5/64"	



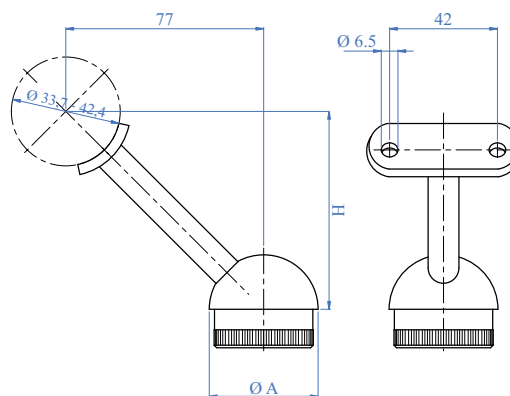
3 pezzi completo di viti e terminale per tubo  
3 pieces complete with screws and end cap for tube

**NEW**

AISI 303	Cod. art.	Altezza	H	Per tubo	A
	Art. no.	Height			
	E038800	77 mm 3 1/2"		Ø 33,7 x 2,0 mm 1 1/3" dia. x 5/64"	
	E038900	77 mm 3 1/2"		Ø 42,4 x 2,0 mm 1 2/3" dia. x 5/64"	

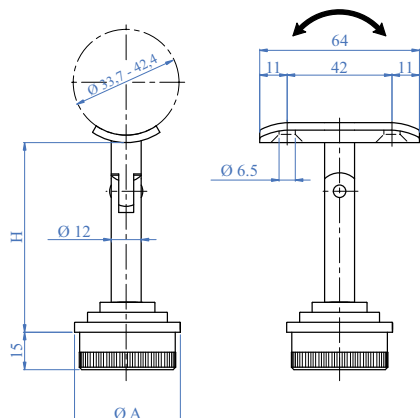
AISI 316	Cod. art.	Altezza	H	Per tubo	A
	Art. no.	Height			
	E038810	77 mm 3 1/2"		Ø 33,7 x 2,0 mm 1 1/3" dia. x 5/64"	
	E038910	77 mm 3 1/2"		Ø 42,4 x 2,0 mm 1 2/3" dia. x 5/64"	



## Reggicorrimano - Handrail Supports

4 pezzi completo di viti e terminale per tubo  
4 pieces complete with screws and end cap for tube

**NEW**



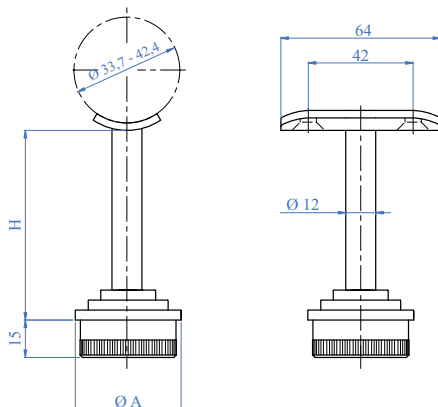
AISI 303	Cod. art.	Altezza	H	Per tubo	A
	Art. no.	Height		For tube	
E039400		76 mm 2 63/64"		Ø 33,7 x 2,0 mm 1 1/3"dia. x 5/64"	
E039500		76 mm 2 63/64"		Ø 42,4 x 2,0 mm 1 2/3"dia. x 5/64"	

AISI 316	Cod. art.	Altezza	H	Per tubo	A
	Art. no.	Height		For tube	
E039410		76 mm 2 63/64"		Ø 33,7 x 2,0 mm 1 1/3"dia. x 5/64"	
E039510		76 mm 2 63/64"		Ø 42,4 x 2,0 mm 1 2/3"dia. x 5/64"	

3 pezzi completo di viti e terminale per tubo  
3 pieces complete with screws and end cap for tube

**NEW**



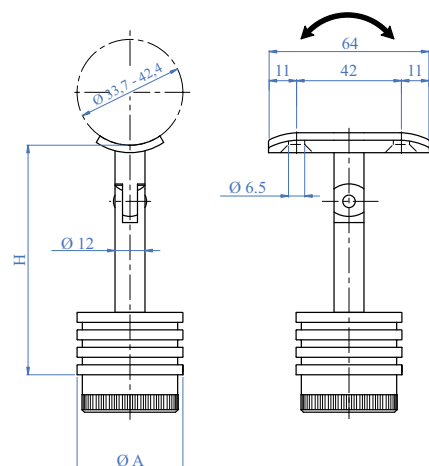
AISI 303	Cod. art.	Altezza	H	Per tubo	A
	Art. no.	Height		For tube	
E039600		76 mm 2 63/64"		Ø 33,7 x 2,0 mm 1 1/3"dia. x 5/64"	
E039700		76 mm 2 63/64"		Ø 42,4 x 2,0 mm 1 2/3"dia. x 5/64"	

AISI 316	Cod. art.	Altezza	H	Per tubo	A
	Art. no.	Height		For tube	
E039610		76 mm 2 63/64"		Ø 33,7 x 2,0 mm 1 1/3"dia. x 5/64"	
E039710		76 mm 2 63/64"		Ø 42,4 x 2,0 mm 1 2/3"dia. x 5/64"	

4 pezzi completo di viti e terminale per tubo  
4 pieces complete with screws and end cap for tube

**NEW**



AISI 303	Cod. art.	Altezza	H	Per tubo	A
	Art. no.	Height		For tube	
E039800		92 mm 3 5/8"		Ø 33,7 x 2,0 mm 1 1/3"dia. x 5/64"	
E039900		92 mm 3 5/8"		Ø 42,4 x 2,0 mm 1 2/3"dia. x 5/64"	

AISI 316	Cod. art.	Altezza	H	Per tubo	A
	Art. no.	Height		For tube	
E039810		92 mm 3 5/8"		Ø 33,7 x 2,0 mm 1 1/3"dia. x 5/64"	
E039910		92 mm 3 5/8"		Ø 42,4 x 2,0 mm 1 2/3"dia. x 5/64"	

## Reggicorrimano - Handrail Supports

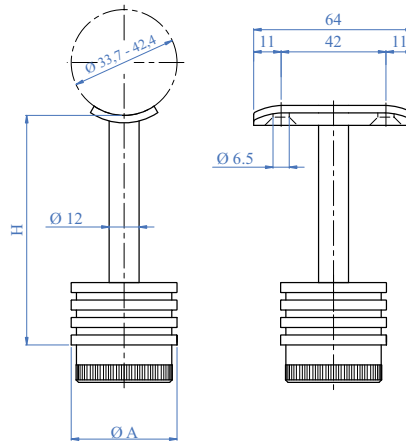
3 pezzi completo di viti e terminale per tubo  
3 pieces complete with screws and end cap for tube

**NEW**

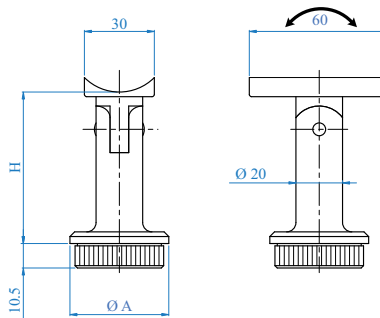
AISI 303	Cod. art.	Altezza	H	Per tubo	A
	Art. no.	Height		For tube	
	E040000	92 mm 3 5/8"		Ø 33,7 x 2,0 mm 1 1/3" dia. x 5/64"	
	E040100	92 mm 3 5/8"		Ø 42,4 x 2,0 mm 1 2/3" dia. x 5/64"	

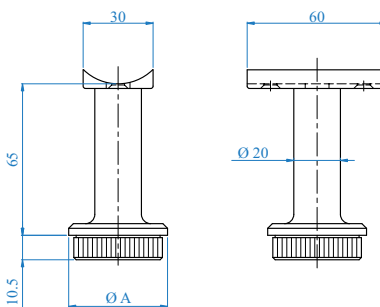
AISI 316	Cod. art.	Altezza	H	Per tubo	A
	Art. no.	Height		For tube	
	E040010	92 mm 3 5/8"		Ø 33,7 x 2,0 mm 1 1/3" dia. x 5/64"	
	E040110	92 mm 3 5/8"		Ø 42,4 x 2,0 mm 1 2/3" dia. x 5/64"	



AISI 304	Cod. art.	Altezza	H	Per tubo	A
	Art. no.	Height		For tube	
	E030	57 mm 2 1/4"		Ø 42,4 x 2,0 mm 1 2/3" dia. x 5/64"	



AISI 304	Cod. art.	Altezza	H	Per tubo	A
	Art. no.	Height		For tube	
	E031	57 mm 2 1/4"		Ø 42,4 x 2,0 mm 1 2/3" dia. x 5/64"	

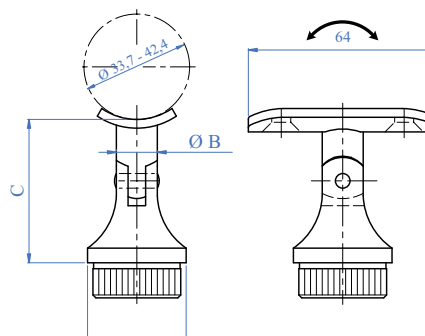


1 pezzo  
1 piece

AISI 303	Cod. art.	Per tubo	A	B	C
	Art. no.	For tube			
	E0104	Ø 42,4 x 2,0 mm 1 2/3" dia. x 5/64"	Ø 20 mm 3/4" dia.	58 mm 2 9/32"	
	E0105	Ø 33,7 x 2,0 mm 1 1/3" dia. x 5/64"	Ø 14 mm 9/16" dia.	48 mm 1 57/64"	

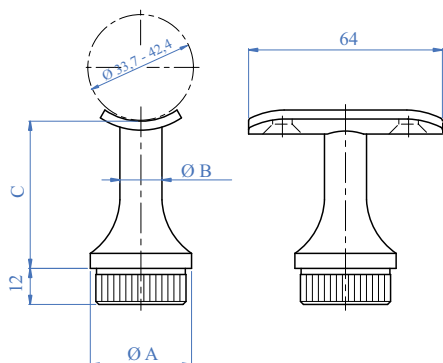
AISI 316	Cod. art.	Per tubo	A	B	C
	Art. no.	For tube			
	E0104316	Ø 42,4 x 2,0 mm 1 2/3" dia. x 5/64"	Ø 20 mm 3/4" dia.	58 mm 2 9/32"	
	E0105316	Ø 33,7 x 2,0 mm 1 1/3" dia. x 5/64"	Ø 14 mm 9/16" dia.	48 mm 1 57/64"	



3 pezzi completo di vite e terminale per tubo  
3 pieces complete with screw and end cap for tube

## Reggicorrimano - Handrail Supports

2 pezzi completo di terminale per tubo  
2 pieces complete with end cap for tube

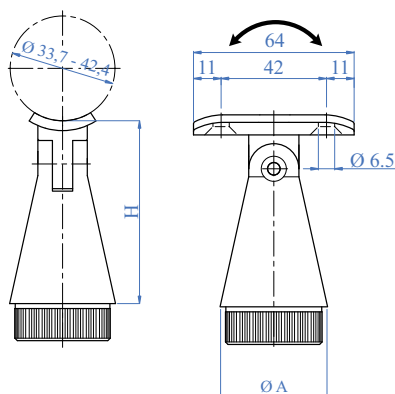


AISI 303	Cod. art.	Per tubo	A	B	C
	Art. no.	For tube			
	E0102	Ø 42,4 x 2,0 mm 1 2/3" dia. x 5/64"	Ø 20 mm 3/4" dia.	58 mm 2 9/32"	
	E0103	Ø 33,7 x 2,0 mm 1 1/3" dia. x 5/64"	Ø 14 mm 9/16" dia.	48 mm 1 57/64"	

AISI 316	Cod. art.	Per tubo	A	B	C
	Art. no.	For tube			
	E0102316	Ø 42,4 x 2,0 mm 1 2/3" dia. x 5/64"	Ø 20 mm 3/4" dia.	58 mm 2 9/32"	
	E0103316	Ø 33,7 x 2,0 mm 1 1/3" dia. x 5/64"	Ø 14 mm 9/16" dia.	48 mm 1 57/64"	

3 pezzi completo di vite e terminale per tubo  
3 pieces complete with screw and end cap for tube

**NEW**

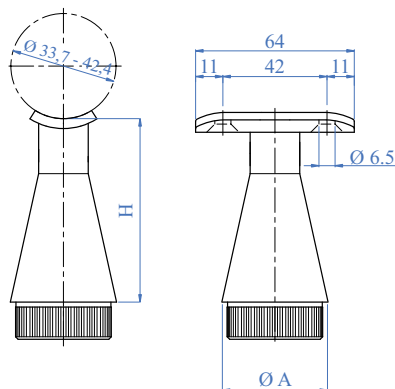


AISI 303	Cod. art.	Altezza	H	Per tubo	A
	Art. no.	Height		For tube	
	E040200	74 mm 2 15/16"		Ø 33,7 x 2,0 mm 1 1/3" dia. x 5/64"	
	E040300	74 mm 2 15/16"		Ø 42,4 x 2,0 mm 1 2/3" dia. x 5/64"	

AISI 316	Cod. art.	Altezza	H	Per tubo	A
	Art. no.	Height		For tube	
	E040210	74 mm 2 15/16"		Ø 33,7 x 2,0 mm 1 1/3" dia. x 5/64"	
	E040310	74 mm 2 15/16"		Ø 42,4 x 2,0 mm 1 2/3" dia. x 5/64"	

2 pezzi completo di terminale per tubo  
2 pieces complete with end cap for tube

**NEW**



AISI 303	Cod. art.	Altezza	H	Per tubo	A
	Art. no.	Height		For tube	
	E040400	74 mm 2 15/16"		Ø 33,7 x 2,0 mm 1 1/3" dia. x 5/64"	
	E040500	74 mm 2 15/16"		Ø 42,4 x 2,0 mm 1 2/3" dia. x 5/64"	

AISI 316	Cod. art.	Altezza	H	Per tubo	A
	Art. no.	Height		For tube	
	E040410	74 mm 2 15/16"		Ø 33,7 x 2,0 mm 1 1/3" dia. x 5/64"	
	E040510	74 mm 2 15/16"		Ø 42,4 x 2,0 mm 1 2/3" dia. x 5/64"	

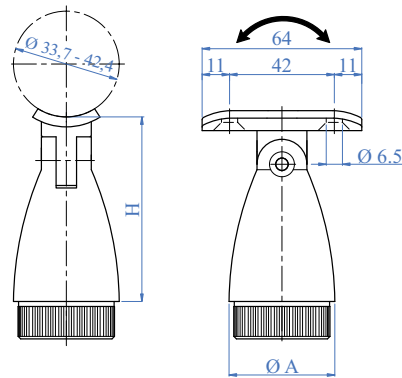


## Reggicorrimano - Handrail Supports

3 pezzi completo di vite e terminale per tubo  
3 pieces complete with screw and end cap for tube

**NEW**

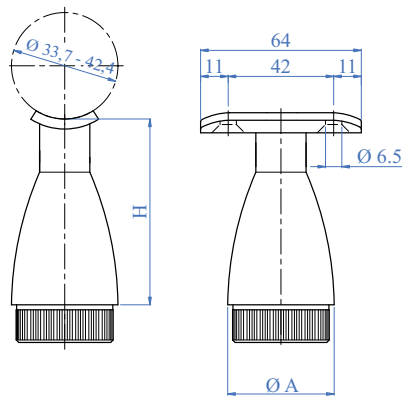
AISI 303	Cod. art.	Altezza	H	Per tubo	A
	Art. no.	Height		For tube	
	E040600	74 mm 2 15/16"		Ø 33,7 x 2,0 mm 1 1/3" dia. x 5/64"	
	E040700	74 mm 2 15/16"		Ø 42,4 x 2,0 mm 1 2/3" dia. x 5/64"	
AISI 316	Cod. art.	Altezza	H	Per tubo	A
	Art. no.	Height		For tube	
	E040610	74 mm 2 15/16"		Ø 33,7 x 2,0 mm 1 1/3" dia. x 5/64"	
	E040710	74 mm 2 15/16"		Ø 42,4 x 2,0 mm 1 2/3" dia. x 5/64"	



2 pezzi completo di terminale per tubo  
2 pieces complete with end cap for tube

**NEW**

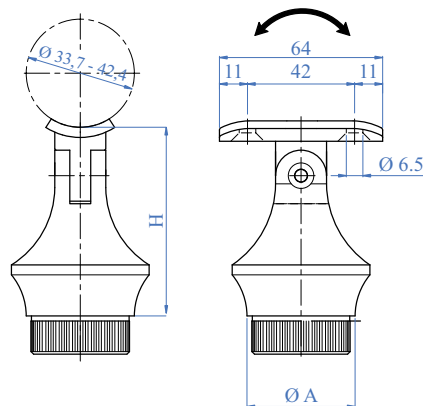
AISI 303	Cod. art.	Altezza	H	Per tubo	A
	Art. no.	Height		For tube	
	E040800	74 mm 2 15/16"		Ø 33,7 x 2,0 mm 1 1/3" dia. x 5/64"	
	E040900	74 mm 2 15/16"		Ø 42,4 x 2,0 mm 1 2/3" dia. x 5/64"	
AISI 316	Cod. art.	Altezza	H	Per tubo	A
	Art. no.	Height		For tube	
	E040810	74 mm 2 15/16"		Ø 33,7 x 2,0 mm 1 1/3" dia. x 5/64"	
	E040910	74 mm 2 15/16"		Ø 42,4 x 2,0 mm 1 2/3" dia. x 5/64"	



3 pezzi completo di vite e terminale per tubo  
3 pieces complete with screw and end cap for tube

**NEW**

AISI 303	Cod. art.	Altezza	H	Per tubo	A
	Art. no.	Height		For tube	
	E041000	74 mm 2 15/16"		Ø 33,7 x 2,0 mm 1 1/3" dia. x 5/64"	
	E041100	74 mm 2 15/16"		Ø 42,4 x 2,0 mm 1 2/3" dia. x 5/64"	
AISI 316	Cod. art.	Altezza	H	Per tubo	A
	Art. no.	Height		For tube	
	E041010	74 mm 2 15/16"		Ø 33,7 x 2,0 mm 1 1/3" dia. x 5/64"	
	E041110	74 mm 2 15/16"		Ø 42,4 x 2,0 mm 1 2/3" dia. x 5/64"	





## Reggicorrimano - Handrail Supports

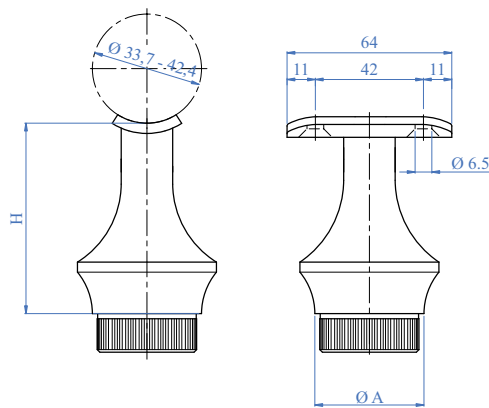
2 pezzi completo di terminale per tubo  
2 pieces complete with end cap for tube

**NEW**

AISI 303	Cod. art.	Altezza	H	Per tubo	A
	Art. no.	Height		For tube	
	E041200	74 mm 2 15/16"		Ø 33,7 x 2,0 mm 1 1/3" dia. x 5/64"	
	E041300	74 mm 2 15/16"		Ø 42,4 x 2,0 mm 1 2/3" dia. x 5/64"	

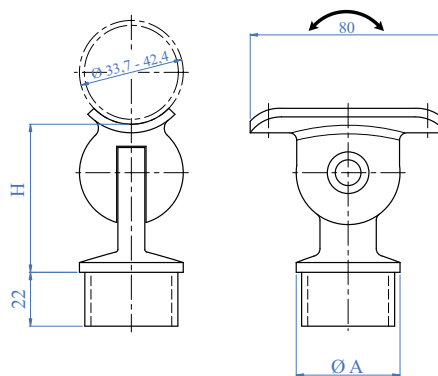
  

AISI 316	Cod. art.	Altezza	H	Per tubo	A
	Art. no.	Height		For tube	
	E041210	74 mm 2 15/16"		Ø 33,7 x 2,0 mm 1 1/3" dia. x 5/64"	
	E041310	74 mm 2 15/16"		Ø 42,4 x 2,0 mm 1 2/3" dia. x 5/64"	



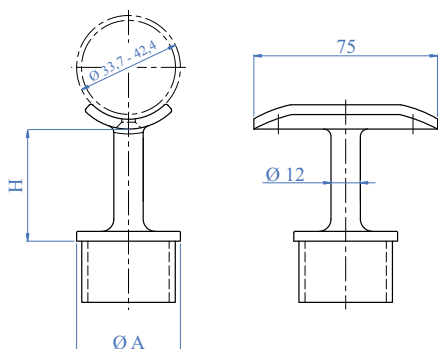
2 pezzi completo di vite e terminale per tubo  
2 pieces complete with screw and end cap for tube

AISI 316	Cod. art.	Altezza	H	Per tubo	A
	Art. no.	Height		For tube	
	E4581/40	60 mm 2 23/64"		Ø 40,0 x 2,0 mm 1 9/16" dia. x 5/64"	
	E4581	60 mm 2 23/64"		Ø 42,4 x 2,0 mm 1 2/3" dia. x 5/64"	



1 pezzo  
1 piece

AISI 316	Cod. art.	Altezza	H	Per tubo	A
	Art. no.	Height		For tube	
	E458/40	60 mm 2 23/64"		Ø 40,0 x 2,0 mm 1 9/16" dia. x 5/64"	
	E458	50 mm 2"		Ø 42,4 x 2,0 mm 1 2/3" dia. x 5/64"	



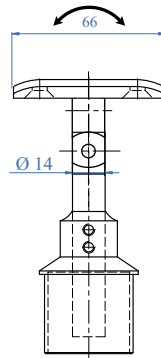
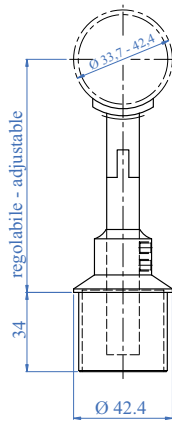
## Reggicorrimano ad Altezza Variabile - Handrail Supports with Adjustable Heights

Snodato, regolabile in altezza, satinato

Joint is pivoted and adjustable in height with a satin finish



regolabile in altezza - adjustable in height



**AISI 316**

Cod. art.  
Art. no.

E500/424

Per tubo  
For tube

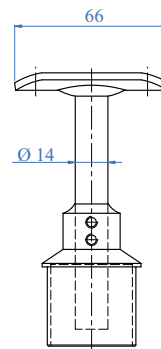
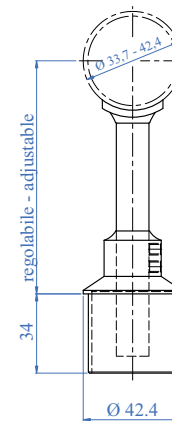
Ø 42,4 x 2,0 mm  
1 2/3" dia. x 5/64"

Rigido, regolabile in altezza, satinato

Joint is rigid, adjustable in height with a satin finish



regolabile in altezza - adjustable in height



**AISI 316**

Cod. art.  
Art. no.

E510/424

Per tubo  
For tube

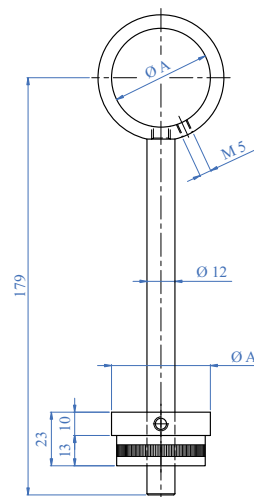
Ø 42,4 x 2,0 mm  
1 2/3" dia. x 5/64"

Supporto regolabile in altezza per tubi

Adjustable in height, for tubes



Grano filettato  
Threaded pins



**AISI 316**

Cod. art.  
Art. no.

E4582/424

Per tubo  
For tube

Ø 42,4 x 2,0 mm  
1 2/3" dia. x 5/64"

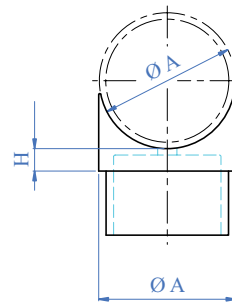
E4582/337

Ø 33,7 x 2,0 mm  
1 1/3" dia. x 5/64"

## Reggicorrimano - Handrail Supports

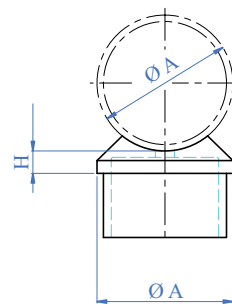
Adattatore satinato per tubo  
Tube adapter with a satin finish

AISI 316	Cod. art. Art. no.	Per tubo For tube A	H
	E490	Ø 33,7 x 2,0 mm 1 1/3" dia. x 5/64"	9 mm 23/64"
	E491	Ø 42,4 x 2,0 mm 1 2/3" dia. x 5/64"	12 mm 1/2"
	E492	Ø 48,3 x 2,0 mm 1 7/8" dia. x 5/64"	14 mm 9/16"
	E493	Ø 60,3 x 2,0 mm 2 3/8" dia. x 5/64"	16 mm 5/8"
	E494	Ø 50,8 x 2,0 mm 2" dia. x 5/64"	16 mm 5/8"



Adattatore satinato per tubo  
Tube adapter with a satin finish

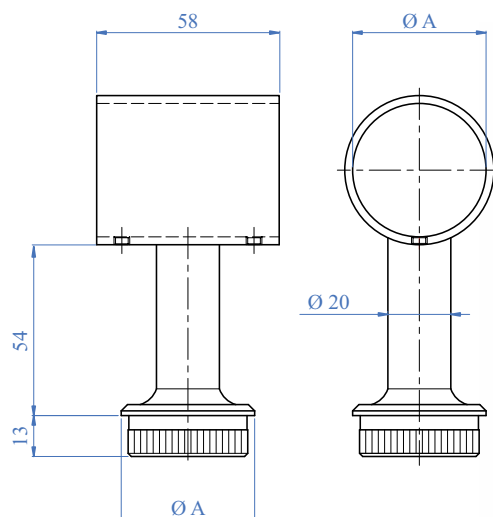
AISI 316	Cod. art. Art. no.	Per tubo For tube A	H
	E2051	Ø 33,7 x 2,0 mm 1 1/3" dia. x 5/64"	6,5 mm 17/64"
	E454/40	Ø 40,0 x 2,0 mm 1 9/16" dia. x 5/64"	6 mm 1/4"
	E454	Ø 42,4 x 2,0 mm 1 2/3" dia. x 3/32"	6 mm 1/4"
	E454/26	Ø 42,4 x 2,6 mm 1 2/3" dia. x 3/32"	6,5 mm 17/64"
	E2052	Ø 48,3 x 2,0 mm 1 7/8" dia. x 5/64"	9 mm 23/64"
	E2053	Ø 60,3 x 2,0 mm 2 3/8" dia. x 5/64"	9 mm 23/64"
	E2054	Ø 50,8 x 2,0 mm 2" dia. x 5/64"	9 mm 23/64"



Saldato, con grani filettati  
Welded, with threaded pins

AISI 303	Cod. art. Art. no.	Per tubo For tube A	H
	E031/S	Ø 42,4 x 2,0 mm 1 2/3" dia. x 5/64"	54 mm 2 1/8"

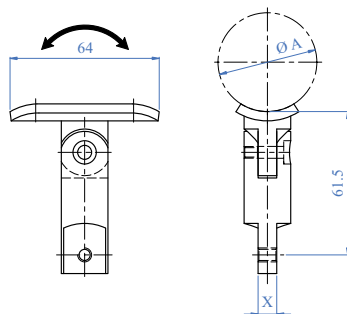
AISI 316	Cod. art. Art. no.	Per tubo For tube A	H
<b>NEW</b>	E031/S316	Ø 42,4 x 2,0 mm 1 2/3" dia. x 5/64"	54 mm 2 1/8"



## Reggicorrimano - Handrail Supports

Snodato per montanti a doppio piatto - Pivoted joint for double plate Newel posts

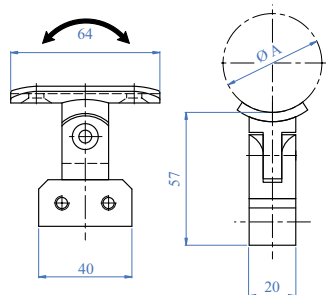
**NEW**



AISI 304	Cod. art. Art. no.	Per tubo For tube	A	Per rondino For round bar	X
	E050100	Ø 33,7/42,4 mm 1 1/3" / 1 2/3" dia.		8 mm 5/16"	
	E050200	Ø 33,7/42,4 mm 1 1/3" / 1 2/3" dia.		10 mm 3/8"	
	E050300	Ø 33,7/42,4 mm 1 1/3" / 1 2/3" dia.		12 mm 1/2"	
AISI 316	Cod. art. Art. no.	Per tubo For tube	A	Per rondino For round bar	X
	E050110	Ø 33,7/42,4 mm 1 1/3" / 1 2/3" dia.		8 mm 5/16"	
	E050210	Ø 33,7/42,4 mm 1 1/3" / 1 2/3" dia.		10 mm 3/8"	
	E050310	Ø 33,7/42,4 mm 1 1/3" / 1 2/3" dia.		12 mm 1/2"	

Snodato per montanti a doppio piatto - Pivoted joint for double plate Newel posts

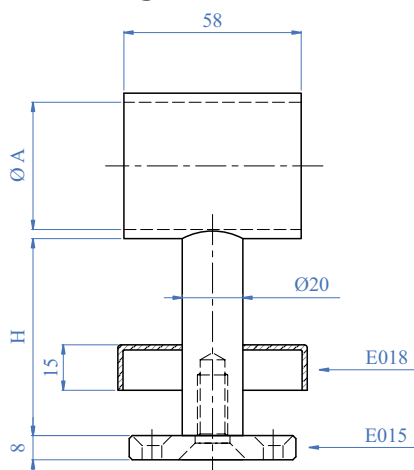
**NEW**



AISI 304	Cod. art. Art. no.	Per tubo For tube	A
	E051100	Ø 33,7/42,4 mm 1 1/3" / 1 2/3" dia.	
	E051200	Ø 48,3/60,3 mm 1 7/8" / 2 3/8" dia.	
AISI 316	Cod. art. Art. no.	Per tubo For tube	A
	E051110	Ø 33,7/42,4 mm 1 1/3" / 1 2/3" dia.	
	E051210	Ø 48,3/60,3 mm 1 7/8" / 2 3/8" dia.	

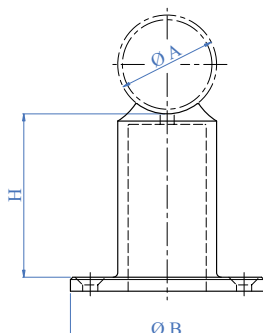
3 pezzi completo di piastra di ancoraggio in alluminio Ø 55 x 8 mm e rosetta Inox Ø 62 x 15 mm

3 pieces complete with aluminium flange 2 11/64" dia. x 5/16" and flange canopy 2 7/16" dia. x 19/32"



AISI 303	Cod. art. Art. no.	Per tubo For tube	A	H
	E0210	Ø 33,7 mm 1 1/3" dia.		71,5 mm 2 9/16"
	E021/S	Ø 42,4 mm 1 2/3" dia.		72 mm 2 9/16"
AISI 316	Cod. art. Art. no.	Per tubo For tube	A	H
<b>NEW</b>	E0210316	Ø 33,7 mm 1 1/3" dia.		71,5 mm 2 9/16"
<b>NEW</b>	E021/S316	Ø 42,4 mm 1 2/3" dia.		72 mm 2 9/16"

Reggicorrimano flangiato  
Flanged handrail support

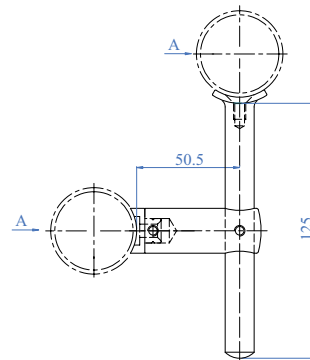


AISI 316	Cod. art. Art. no.	Per tubo For tube	A	B	H
	E4540	Ø 33,7 mm 1 1/3" dia.		Ø 68 mm 2 43/64" dia.	60 mm 2 23/64"
	E4541	Ø 42,4 mm 1 2/3" dia.		Ø 83 mm 3 17/64" dia.	67 mm 2 41/64"
	E4542	Ø 48,3 mm 1 7/8" dia.		Ø 93 mm 3 21/32" dia.	70 mm 2 3/4"
	E4543	Ø 60,3 mm 2 3/8" dia.		Ø 105 mm 4 9/64" dia.	75 mm 2 61/64"

## Reggicorrimano - Handrail Supports

Per fissaggio laterale, completo di grani e attacco per tubo Ø 42,4 mm con possibilità di regolazione in altezza  
For lateral fastening, rigid and complete with set screws, for tube 1 2/3" dia., adjustable in height

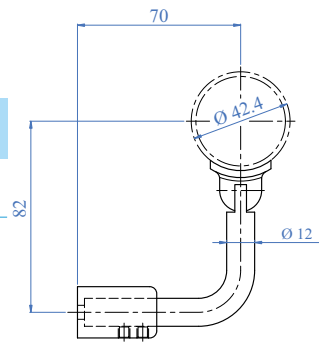
AISI 303	Cod. art. Art. no.	Dimensioni Dimensions	Per tubo For tube	A
	E0225	Ø 12 x 125 mm 1/2" dia. x 4 59/64"	Ø 33,7 - 42,4 mm 1 1/3" - 1 2/3" dia.	
	E0226	Ø 14 x 125 mm 9/16" dia. x 4 59/64"	Ø 33,7 - 42,4 mm 1 1/3" - 1 2/3" dia.	
AISI 316	Cod. art. Art. no.	Dimensioni Dimensions	Per tubo For tube	A
	E0225316	Ø 12 x 125 mm 1/2" dia. x 4 59/64"	Ø 33,7 - 42,4 mm 1 1/3" - 1 2/3" dia.	
	E0226316	Ø 14 x 125 mm 9/16" dia. x 4 59/64"	Ø 33,7 - 42,4 mm 1 1/3" - 1 2/3" dia.	



## Reggicorrimano da Parete - Wall Handrail Supports

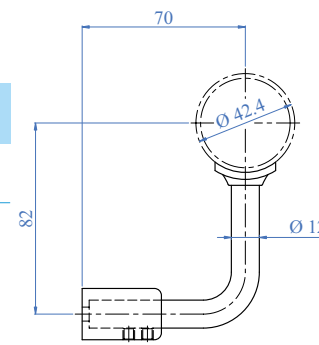
Snodato, per montaggio laterale al montante  
Joint is pivoted for lateral fastening

AISI 316	Cod. art. Art. no.	Per tubo For tube	A
	E4584	attacco piano square	
	E4584/424	Ø 42,4 mm 1 2/3" dia.	



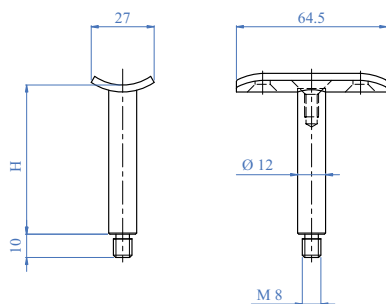
Rigido, per montaggio laterale al montante  
Joint is rigid, for lateral fastening

AISI 316	Cod. art. Art. no.	Per tubo For tube	A
	E4583	attacco piano square	
	E4583/424	Ø 42,4 mm 1 2/3" dia.	



## Elementi Reggicorrimano - Handrail Support Elements

**NEW**

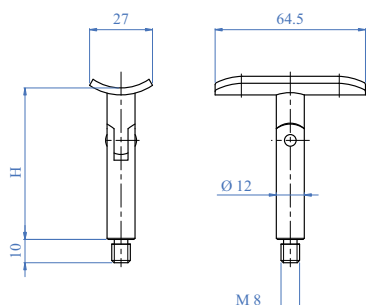


AISI 304	Cod. art. Art. no.	Altezza Height	H	Per tubo For tube
	E041400	64 mm 2 33/64"		Ø 33,7 - Ø 42,4 mm 1 1/3" dia. - 1 2/3" dia.

AISI 316	Cod. art. Art. no.	Altezza Height	H	Per tubo For tube
	E041500	64 mm 2 33/64"		Ø 33,7 - Ø 42,4 mm 1 1/3" dia. - 1 2/3" dia.

**NEW**



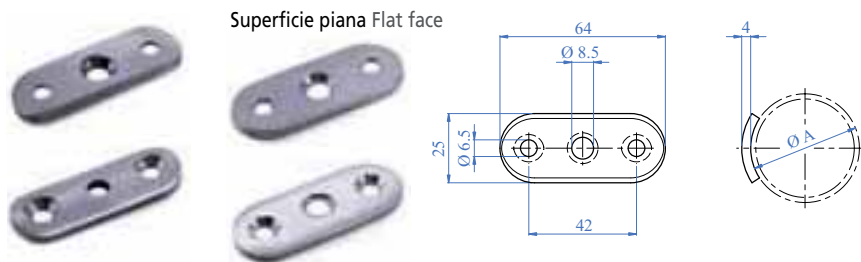
AISI 304	Cod. art. Art. no.	Altezza Height	H	Per tubo For tube
	E041410	65 mm 2 33/64"		Ø 33,7 - Ø 42,4 mm 1 1/3" dia. - 1 2/3" dia.

AISI 316	Cod. art. Art. no.	Altezza Height	H	Per tubo For tube
	E041510	65 mm 2 33/64"		Ø 33,7 - Ø 42,4 mm 1 1/3" dia. - 1 2/3" dia.

## Piastre Sella - Mounting Plates

Spessore 4 mm  
Thickness 5/32"



AISI 304	Cod. art. Art. no.	Per tubo For tube	A
	E01197	Ø 33,7 - Ø 42,4 mm 1 1/3" dia. - 1 2/3" dia.	
	E011972	Ø 48,3 - Ø 60,3 mm 1 7/8" dia. - 2 3/8" dia.	

**NEW**

AISI 316	Cod. art. Art. no.	Per tubo For tube	A
	E01197316	Ø 33,7 - Ø 42,4 mm 1 1/3" dia. - 1 2/3" dia.	
	E011972316	Ø 48,3 - Ø 60,3 mm 1 7/8" dia. - 2 3/8" dia.	

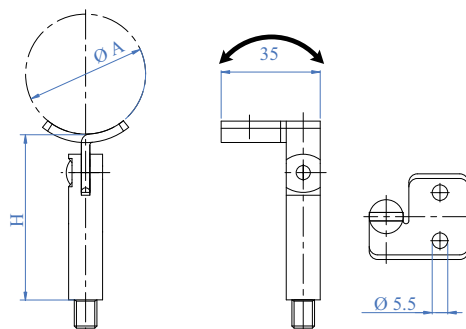
  

**NEW**

AISI 304	Cod. art. Art. no.	Per tubo For tube	A
	E011976	Superficie piana Flat face	

AISI 316	Cod. art. Art. no.	Per tubo For tube	A
	E011976316	Superficie piana Flat face	



AISI 304	Cod. art. Art. no.	Altezza Height	H	Per tubo For tube	A
	E041600	58 mm 2 9/32"		Ø 33,7 - Ø 42,4 mm 1 1/3" dia. - 1 2/3" dia.	

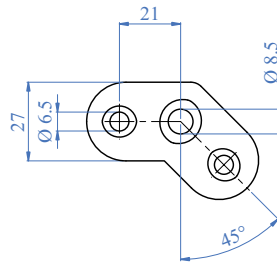
**NEW**

AISI 316	Cod. art. Art. no.	Altezza Height	H	Per tubo For tube	A
	E041700	58 mm 2 9/32"		Ø 33,7 - Ø 42,4 mm 1 1/3" dia. - 1 2/3" dia.	



Piastre Sella 45° - Mounting Plates 45°

Spessore 4 mm  
Thickness 5/32"

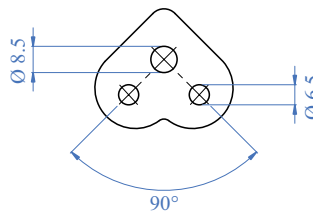


AISI 304	Cod. art. Art. no.	Per tubo For tube
	E011974	Ø 33,7 - Ø 42,4 mm 1 1/3" dia. - 1 2/3" dia.
	E011975	Ø 48,3 - Ø 60,3 mm 1 7/8" dia. - 2 3/8" dia.

AISI 316	Cod. art. Art. no.	Per tubo For tube
	E011974316	Ø 33,7 - Ø 42,4 mm 1 1/3" dia. - 1 2/3" dia.
	E011975316	Ø 48,3 - Ø 60,3 mm 1 7/8" dia. - 2 3/8" dia.

Piastre Sella 90° - Mounting Plates 90°

Spessore 4 mm  
Thickness 5/32"



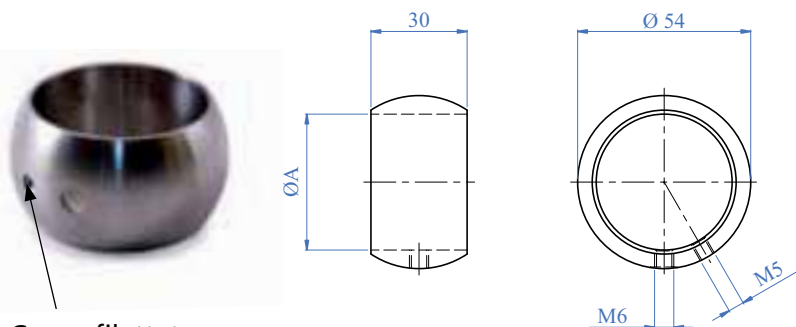
AISI 304	Cod. art. Art. no.	Per tubo For tube
	E011971	Ø 33,7 - Ø 42,4 mm 1 1/3" dia. - 1 2/3" dia.
	E011973	Ø 48,3 - Ø 60,3 mm 1 7/8" dia. - 2 3/8" dia.

AISI 316	Cod. art. Art. no.	Per tubo For tube
	E011971316	Ø 33,7 - Ø 42,4 mm 1 1/3" dia. - 1 2/3" dia.
	E011973316	Ø 48,3 - Ø 60,3 mm 1 7/8" dia. - 2 3/8" dia.



## Reggicorrimano - Handrail Support

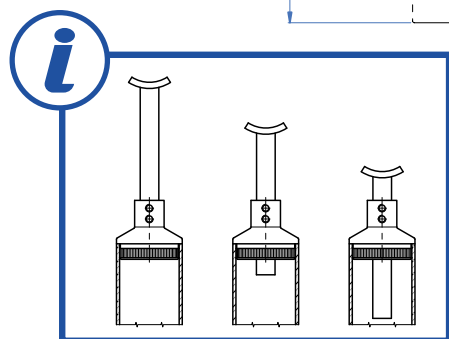
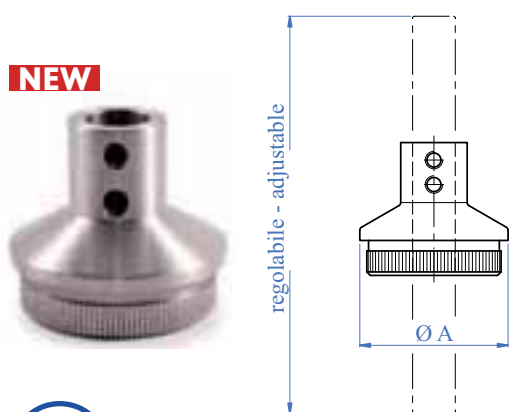
Satinato completo di vite M6 e grano  
Complete with M6 screw and set screw, satin finish



Grano filettato  
Threaded pins

AISI 316	Cod. art. Art. no.	Per tubo For tube	A
	E468/337	Ø 33,7 mm 1 1/3" dia.	
	E468/424	Ø 42,4 mm 1 2/3" dia.	

## Terminale per Corrimano - End Caps for Handrail Holders



AISI 303	Cod. art. Art. no.	Per tubo For tube	A	Foro passante Through hole
	E01195100	Ø 33,7 x 2,0 mm 1 1/3" dia. x 5/64"		Ø 12,2 mm 31/64" dia.
	E01196100	Ø 42,4 x 2,0 mm 1 2/3" dia. x 5/64"		Ø 12,2 mm 31/64" dia.

AISI 316	Cod. art. Art. no.	Per tubo For tube	A	Foro passante Through hole
	E02195100	Ø 33,7 x 2,0 mm 1 1/3" dia. x 5/64"		Ø 12,2 mm 31/64" dia.
	E02196100	Ø 42,4 x 2,0 mm 1 2/3" dia. x 5/64"		Ø 12,2 mm 31/64" dia.

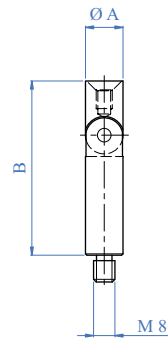


Giunzioni - Connectors

Snodato con filetto esterno M8 e filetto interno M6  
Pivoted with external thread M8 and internal thread M6

AISI 304	Cod. art. Art. no.	Descrizione Description	A x B	Snodato Pivotable
	E011931	Ø 12 x 65 mm - 1/2" dia. x 2 9/16"		Si - Yes
	E01193	Ø 14 x 65 mm - 9/16" dia. x 2 9/16"		Si - Yes

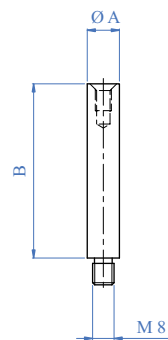
AISI 316	Cod. art. Art. no.	Descrizione Description	A x B	Snodato Pivotable
	E011931316	Ø 12 x 65 mm - 1/2" dia. x 2 9/16"		Si - Yes
<b>NEW</b>	E01193316	Ø 14 x 65 mm - 9/16" dia. x 2 9/16"		Si - Yes



Rigido con filetto esterno M8 e filetto interno M6  
Fixed with external thread M8 and internal thread M6

AISI 304	Cod. art. Art. no.	Descrizione Description	A x B
	E011941	Ø 12 x 65 mm - 1/2" dia. x 2 9/16"	
	E01194	Ø 14 x 65 mm - 9/16" dia. x 2 9/16"	
	E011943	Ø 12 x 115 mm - 1/2" dia. x 4 1/2"	
	E011944	Ø 14 x 115 mm - 9/16" dia. x 4 1/2"	

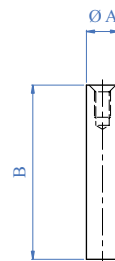
AISI 316	Cod. art. Art. no.	Descrizione Description	A x B
	E011941316	Ø 12 x 65 mm - 1/2" dia. x 2 9/16"	
	E01194316	Ø 14 x 65 mm - 9/16" dia. x 2 9/16"	
<b>NEW</b>	E011943316	Ø 12 x 115 mm - 1/2" dia. x 4 1/2"	
<b>NEW</b>	E011944316	Ø 14 x 115 mm - 9/16" dia. x 4 1/2"	



Con filetto interno M6 su un lato  
With one internal thread M6

AISI 304	Cod. art. Art. no.	Descrizione Description	A x B
	E011945	Ø 12 x 80 mm - 1/2" dia. x 3 5/32"	
	E0119451	Ø 14 x 80 mm - 9/16" dia. x 3 5/32"	
	E011940	Ø 12 x 115 mm - testa arrotondata 1/2" dia. x 4 17/32" - rounded head	
	E0119441	Ø 14 x 115 mm - testa arrotondata 9/16" dia. x 4 17/32" - rounded head	

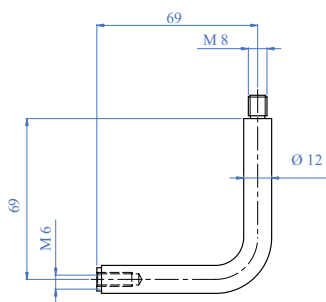
AISI 316	Cod. art. Art. no.	Descrizione Description	A x B
<b>NEW</b>	E011945316	Ø 12 x 80 mm - 1/2" dia. x 3 5/32"	
	E0119451316	Ø 14 x 80 mm - 9/16" dia. x 3 5/32"	
	E011940316	Ø 12 x 115 mm - testa arrotondata 1/2" dia. x 4 17/32" - rounded head	
	E0119441316	Ø 14 x 115 mm - testa arrotondata 9/16" dia. x 4 17/32" - rounded head	



## Angolare per Corrimano - Fittings for Handrail

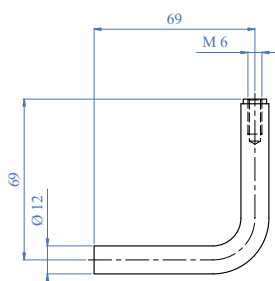
Misura 75 x 75 mm Ø 12 mm, satinato, senza vite

Dimensions 2 61/64" x 2 61/64", 1/2" dia. satin finish without screw



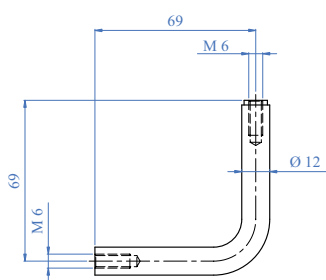
AISI 304	Cod. art. Art. no.	Descrizione Description
	E011946	Con filetto interno M6 e filetto esterno M8 With internal thread M6 and external thread M8

AISI 316	Cod. art. Art. no.	Descrizione Description
	E011946316	Con filetto interno M6 e filetto esterno M8 With internal thread M6 and external thread M8



AISI 304	Cod. art. Art. no.	Descrizione Description
	E011947	Con 1 filetto interno M6 With 1 internal thread M6

AISI 316	Cod. art. Art. no.	Descrizione Description
	E011947316	Con 1 filetto interno M6 With 1 internal thread M6

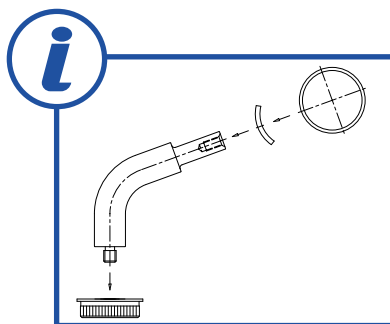
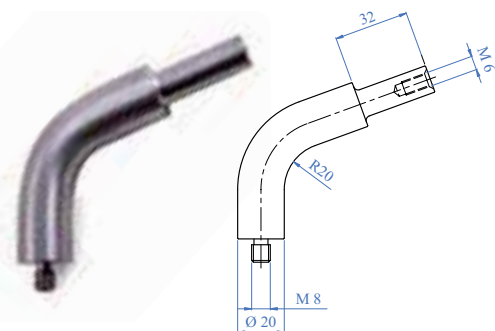


AISI 304	Cod. art. Art. no.	Descrizione Description
	E011948	Con filetti interni M6 With internal threads M6

AISI 316	Cod. art. Art. no.	Descrizione Description
	E011948316	Con filetti interni M6 With 2 internal threads M6

## Giunzione per corrimano disassato, con filetti interni M8 e M6

Connector for handrail out of axis, with internal threads M8 and M6



AISI 304	Cod. art. Art. no.	Descrizione Description
	E01192	90 x 75 mm - 3 9/16" x 2 21/64"

AISI 316	Cod. art. Art. no.	Descrizione Description
	E01192316	90 x 75 mm - 3 9/16" x 2 21/64"

## Corrimani Assemblati - Pre-assembled Handrails

Già pronti per il montaggio. Da tubo Ø 42,4 mm, sp. 2.0 mm, satinato con grana 240.  
In stainless steel, satin finish with grain size 240, tube 1 2/3" dia. x 5/64".

AISI 304	Cod. art. Art. no.	Dimensioni Dimensions
	E080	Fino a 1200 mm up to 47 1/4"
	E081	Fino a 1500 mm up to 59 1/20"
	E082	Fino a 1800 mm up to 70 7/8"
	E083	Fino a 2000 mm up to 78 3/4"
	E084	Fino a 2500 mm up to 98 27/64"
	E085	Fino a 3000 mm up to 9' - 10"
	E086	Fino a 4000 mm up to 9'



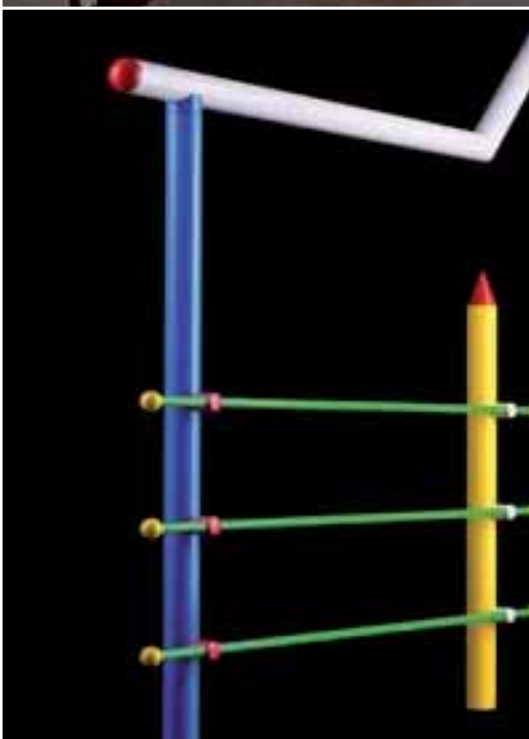
Con supporto corrimano E0221  
With handrail support E0221



SU RICHIESTA DISPONIBILE CON QUALSIASI MODELLO DI SUPPORTO CORRIMANO E DI TAPPI TERMINALI  
UPON REQUEST THERE ARE ADDITIONAL HANDRAIL SUPPORT SYSTEMS AS WELL AS END CAPS FOR HANDRAILS AVAILABLE







# ind.i.a.<sup>®</sup> S. P. A.

INDUSTRIA ITALIANA ARTEFERRO

VIA VICENZA, 6/14

36034 MALO (VICENZA) ITALIA

TELEFONO (+39) 0445 580 580

FAX (+39) 0445 580 874

E-mail:india@arteferro.com

www.ironews.com - www.ilgrandefabbro.com

www.arteferro.com

ARTEFERRO Miami LLC.

2955 N.W. 75<sup>th</sup> STREET  
MIAMI, FLORIDA 33147 - USA  
PHONE: (+1) (305) 836-9232 / 1-877-723-6743  
FAX: (+1) (305) 836-4113  
www.arteferromiami.com info@arteferromiami.com

U.S.A.

ARTEFERROSUD S.R.L.

Via Piano Alvanella 83024 MONTEFORTE IRPINO (AV)  
Tel. (+39) 0825 68 00 81  
Fax (+39) 0825 68 34 98  
(Per Campania - Puglia - Calabria - Basilicata - Molise)  
www.arteferrosud.it info@arteferrosud.it

ITALY

indital<sup>®</sup>

7947 MESA ROAD - HOUSTON  
TEXAS 77028 - U.S.A.  
PHONE: (+1) (713) 694-6065 / 1-800-772-4706  
FAX: (+1) (713) 694-2055  
www.indital.com - forgings@indital.com

U.S.A.

ind.i.a.

28500 ARGANDA DEL REY (MADRID) - ESPAÑA  
C/. ABEDUL, 43 - Poligono "EL GUJAR"  
TEL. (+34) (91) 8701897 - 8700819  
FAX (+34) (91) 8700820  
info@arteferro.es www.arteferro.es

ESPAÑA S.L.

ARTEFERRO Skandinavien AB

SWEDEN: SJÖTULLSG. 3 - S-602 28 NORRKÖPING  
TEL. (+46) (0) 11182323 - FAX (+46) (0) 11182328  
DENMARK: HESSELAGER 19 - DK-2605 BRØNDBY  
TEL. +45 4362 2563 - FAX +45 4362 2535  
www.arteferro.se - info@arteferro.se

SWEDEN - DENMARK

ARTEFERRO Dohomont d.o.o.

SIRKOVIŠE bb 40324 GORICAN - HRVATSKA  
PHONE (+385) (0)40 601-222  
Fax PHONE (+385) (0)40 601-600  
www.arteferro-dohomont.hr  
info@arteferro-dohomont.hr

HRVATSKA

Mobilforge S.A.

Targoviste - Romania Soseaua Gaesti, (sat Colanu)  
Judetul Dambavita  
Tel. 004 0751060204, (004)0745395590  
Fax (004)0745731210  
E-mail: info@mobilforge.com

ROMANIA

ООО "ARTEFERRO Russia"

603092 Nizhny Novgorod (Russia)  
Moskovskoje shosse, 320 B  
TEL (+7) (831) 296-19-99 FAX: (+7) (831) 279-28-63  
www.arteferro.ru - www.arteferrossia.com  
info@arteferrossia.com

RUSSIA

ARTEFERRO Ukraina

5, AVTOPARKOVA, 02660 Kiev - Ukraine  
Tel.: (+38) (044) 4920331  
Fax: (+38) (044) 4920332  
E-mail: arteferroukraina@svitonline.com  
www.arteferroukraina.com

UKRAINE

ind.i.a.

ul. Gierdziejewskiego 7  
02-495 Warszawa POLAND  
Tel +48 (22) 397-79-40  
Fax +48 (22) 397-21-55  
info@indiapoland.com - www.indiapoland.com

POLAND S.p.A.

ARTEFERRO Monterrey S.A. DE C.V.

Av. E. Martinez Lara # 117 Parque Industrial MILMEX  
Carretera Sta. Rosa Km. 3 Apodaca,  
Nuevo León C.P. 66637  
Teléfono: (81) 1295-5094 / 1295-5095  
Fax: (81) 1295-5097  
info@arteferromonterrey.com  
www.arteferromonterrey.com

MEXICO

ind.i.a.

RUA PADRE FEIJÓ, 480 CEP 95190-000  
SÃO MARCOS / RS BRASIL  
TEL. - FAX (+55) (0) 54 32911416  
www.arteferrobrazil.com.br  
arteferro@arteferrobrazil.com.br

BRASIL Ltda

ARTEFERRO Argentina S.A.

Suarez 760  
(1162) Capital Federal Buenos Aires  
Republica Argentina  
TEL./Fax (+54) 11 43012637

ARGENTINA

ARTEFERRO Chile S.A.

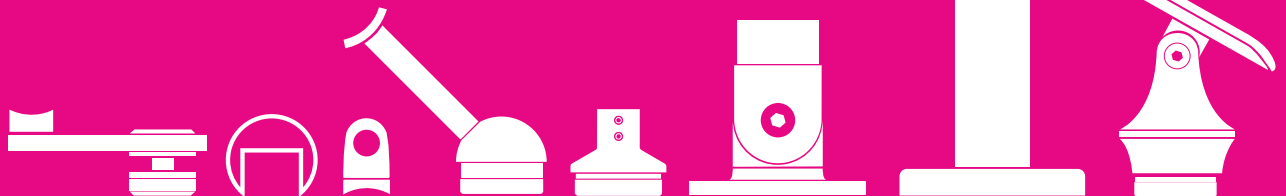
LOS ARRAYANES 250, COMUNA DE COLINA,  
SANTIAGO DE CHILE

CHILE

ARTEFERRO BOTNIC INTERNATIONAL LTD

Block C/5 Lagos State small scale Industrial Estate,  
Fatai Atere Way, Matori, Lagos  
Tel. 00234 1 891 4155 - 00234 1 2799 093-4  
www.arteferrobotnic.com  
info@arteferrobotnic.com

NIGERIA



WWW.ARTEFERRO.COM